

**TESC GENERAL NOTES**

1. VERIFY WITH LOCAL JURISDICTION IF A FIRST GROUND DISTURBANCE INSPECTION IS REQUIRED PRIOR TO START OF WORK ON ALL SITES WITH LAND DISTURBING ACTIVITY.
2. THE APPLICANT SHALL DESIGNATE AN EROSION AND SEDIMENT CONTROL (ESC) SUPERVISOR WHO SHALL BE RESPONSIBLE FOR THE INSTALLATION AND MAINTENANCE OF EROSION AND SEDIMENT CONTROL BEST MANAGEMENT PRACTICES (BMPs). FOR LARGE CONSTRUCTION PROJECTS, THE ESC SUPERVISOR SHOULD BE A CERTIFIED EROSION AND SEDIMENT CONTROL LEAD (CESCL). PROVIDE THE NAME AND PHONE NUMBER OF THE ESC SUPERVISOR TO THE SITE INSPECTOR AT THE FIRST GROUND DISTURBANCE INSPECTION.
3. BMPs SHALL BE INSTALLED PRIOR TO STARTING CONSTRUCTION TO ENSURE SEDIMENT-LADEN WATER DOES NOT LEAVE THE PROJECT SITE OR ENTER ROADSIDE DITCHES, STORM DRAINS, SURFACE WATERS, OR WETLANDS.
4. THE BMPs INCLUDED IN THIS PLAN ARE THE MINIMUM REQUIREMENTS FOR ANTICIPATED SITE CONDITIONS. THE APPLICANT IS RESPONSIBLE FOR ENSURING THAT BMPs ARE MODIFIED AS NEEDED FOR UNEXPECTED STORM EVENTS OR OTHER UNFORESEEN CIRCUMSTANCES, AND TO ACCOUNT FOR CHANGING SITE CONDITIONS.
5. ANY AREAS OF DISTURBED SOIL THAT WILL NOT BE WORKED FOR TWO CONSECUTIVE DAYS DURING THE WET SEASON (OCT 1 TO APRIL 30) OR SEVEN DAYS DURING THE DRY SEASON (MAY 1 TO SEPT 30) SHALL BE IMMEDIATELY STABILIZED WITH APPROVED BMPs METHODS (E.G. STRAW, MULCH, PLASTIC COVERING, COLD MIX, ETC.).
6. GRADING AND/OR SOIL DISTURBING ACTIVITIES MAY BE LIMITED OR PROHIBITED FOR CERTAIN SITES SUBJECT TO ECA STANDARDS (I.E. ECA STEEP SLOPES, LANDSLIDE PRONE AREAS, ETC.) BETWEEN OCTOBER 31ST AND APRIL 1ST. VERIFY WITH LOCAL JURISDICTION FOR COMPLIANCE REQUIREMENTS.
7. CITY STREETS AND SIDEWALKS SHALL BE KEPT CLEAN AT ALL TIMES. NO MATERIAL SHALL BE STORED ON CITY STREETS OR SIDEWALKS.
8. POLLUTION CONTROL MEASURES SHALL BE FOLLOWED TO ENSURE THAT NO LIQUID PRODUCTS OR CONTAMINATED WATER ENTERS ANY STORM DRAINAGE FACILITIES OR OTHERWISE LEAVES THE PROJECT SITE. ANY HAZARDOUS MATERIALS OR LIQUID PRODUCTS THAT HAVE THE POTENTIAL TO POLLUTE RUNOFF SHALL BE STORED AND DISPOSED OF PROPERLY.
9. ENSURE THAT WASHOUT FROM CONCRETE TRUCKS IS PERFORMED OFF-SITE OR IN DESIGNATED CONCRETE WASHOUT AREAS ONLY. DO NOT WASH OUT CONCRETE TRUCKS ONTO THE GROUND, OR TO STORM DRAINS OR OPEN DITCHES. DO NOT DUMP EXCESS CONCRETE ONSITE, EXCEPT IN DESIGNATED CONCRETE WASHOUT AREAS.
10. ALL AREAS OF DISTURBED SOIL SHALL BE FULLY STABILIZED WITH THE APPROPRIATE SOIL AMENDMENT AND COVER MEASURES AT COMPLETION OF THE PROJECT. TYPICAL COVER MEASURES INCLUDE LANDSCAPING OR HYDROSEED WITH MULCH.

**CONSTRUCTION STORMWATER CONTROL (CSC) PLAN REQUIREMENTS / NARRATIVE**

THIS PLAN IS REQUIRED FOR ALL PROJECTS WITH GREATER THAN 750 SQUARE FEET OF LAND DISTURBING ACTIVITIES.

SHOW TEMPORARY AND PERMANENT BEST MANAGEMENT PRACTICES (BMPs) IN THE PLAN VIEW OF THIS SHEET THAT WILL ACCOMPLISH THE MINIMUM REQUIREMENTS DESCRIBED IN THE NARRATIVE BELOW.

THE BMPs SHOWN IN THE PLAN VIEW OF THIS PLAN ARE THE MINIMUM REQUIRED. ADDITIONAL BMPs ARE REQUIRED WHEN MINIMUM CONTROLS ARE NOT SUFFICIENT TO PREVENT EROSION OR TRANSPORT OF SEDIMENT OR OTHER POLLUTANTS FROM THE SITE.

- MARK CLEARING LIMITS
- DELINEATE ENVIRONMENTALLY CRITICAL AREAS
- RETAIN TOP LAYER AND NATIVE VEGETATION
- ESTABLISH CONSTRUCTION ACCESS
- PROTECT DOWNSTREAM PROPERTIES AND RECEIVING WATERS
- PREVENT EROSION AND SEDIMENT TRANSPORT FROM THE SITE
- STABILIZE SOILS
- PROTECT SLOPES
- PROTECT STORM DRAINS
- STABILIZE CHANNEL AND OUTLETS
- CONTROL POLLUTANTS
- CONTROL DEWATERING
- MAINTAIN AND INSPECT BMPs
- EXECUTE CONSTRUCTION STORMWATER CONTROL PLAN
- MINIMIZE OPEN TRENCHES
- PHASE THE PROJECT
- INSTALL PERMANENT FLOW CONTROL AND WATER QUALITY FACILITIES
- PROTECT STORMWATER BMPs PRIOR TO, DURING, AND AFTER CONSTRUCTION

**POST CONSTRUCTION SOIL MANAGEMENT PLAN**

AT THE END OF PROJECT, ALL AREAS DISTURBED AND NOT COVERED WITH A HARD SURFACE MUST BE AMENDED PER THE SOIL AMENDMENT DETAIL BELOW AND PROBE TO 12-INCHES AT THE SITE FINAL INSPECTION.

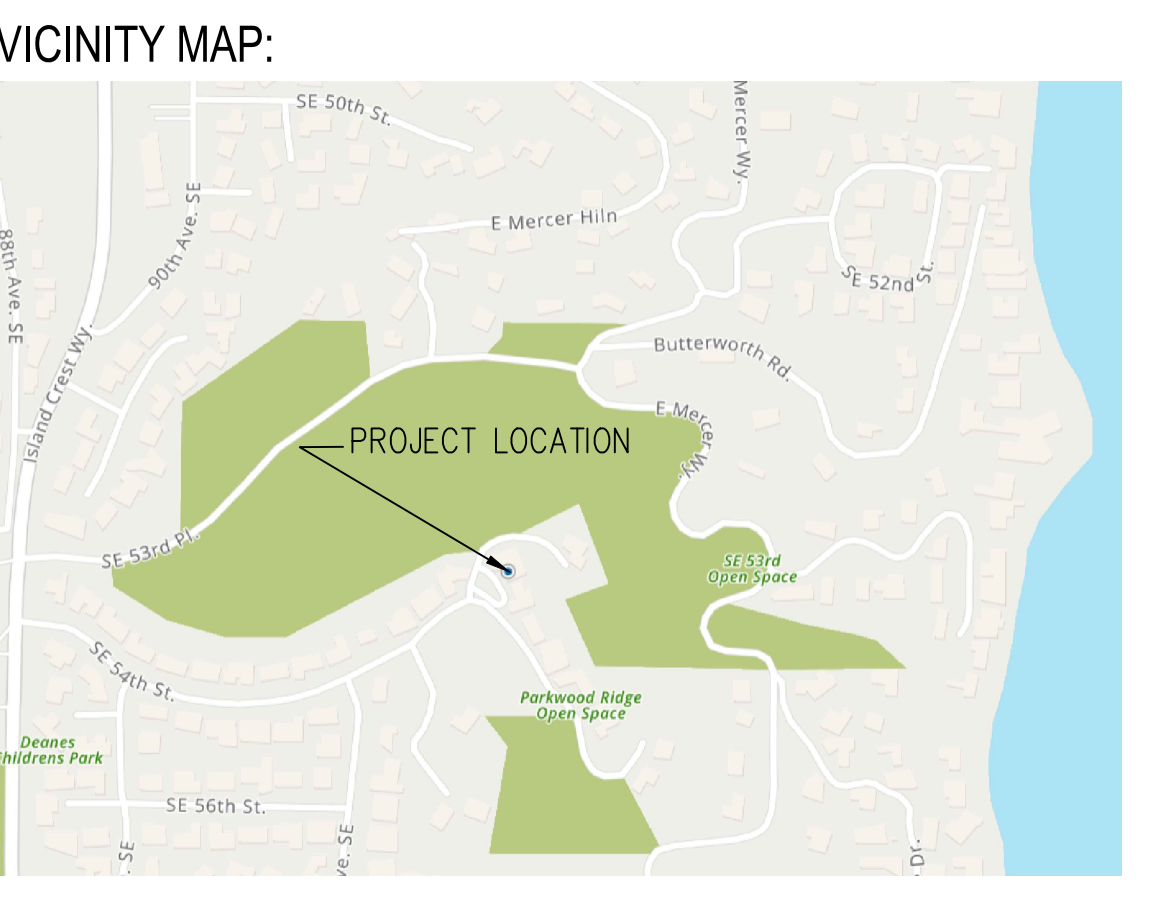
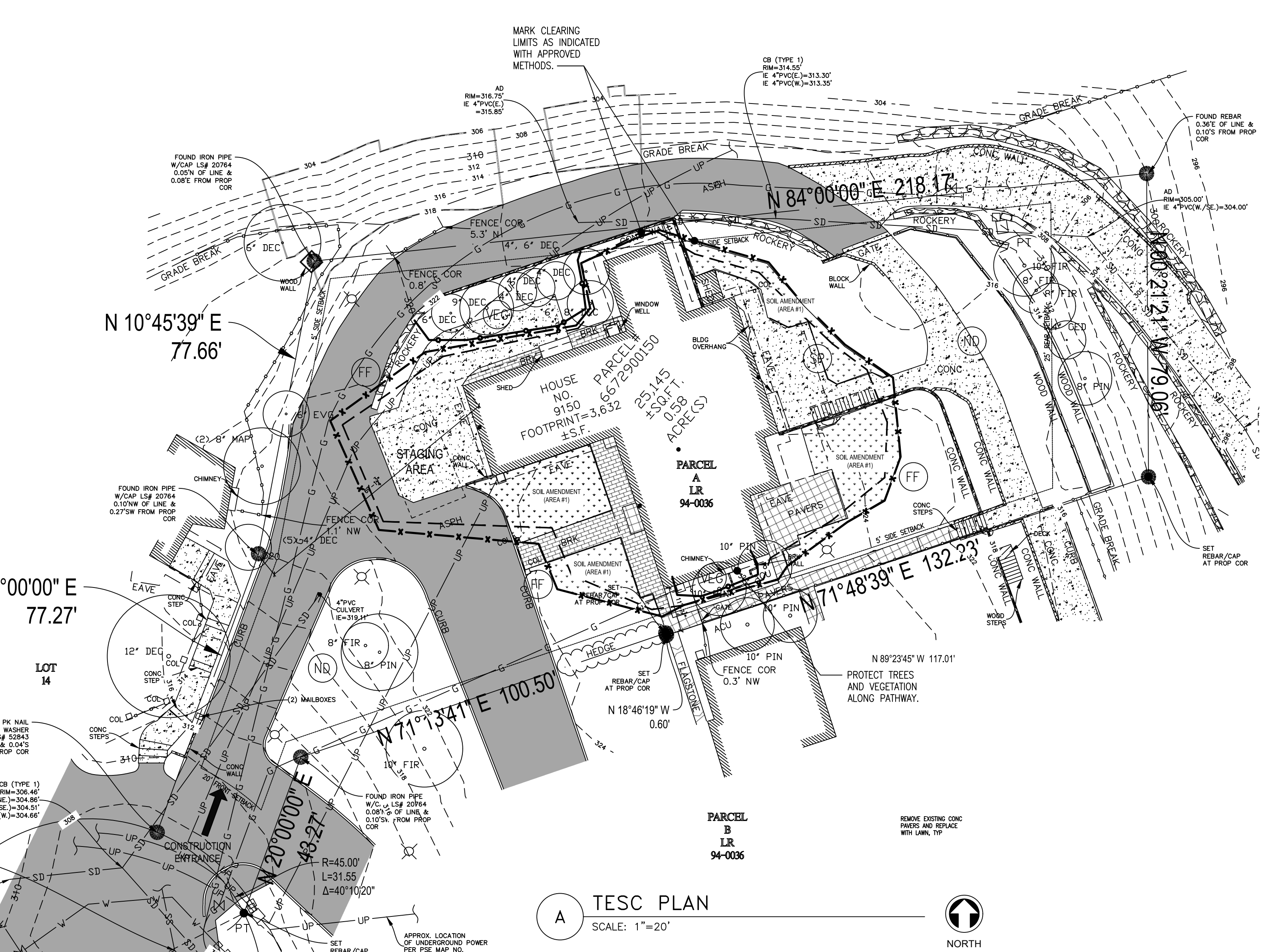
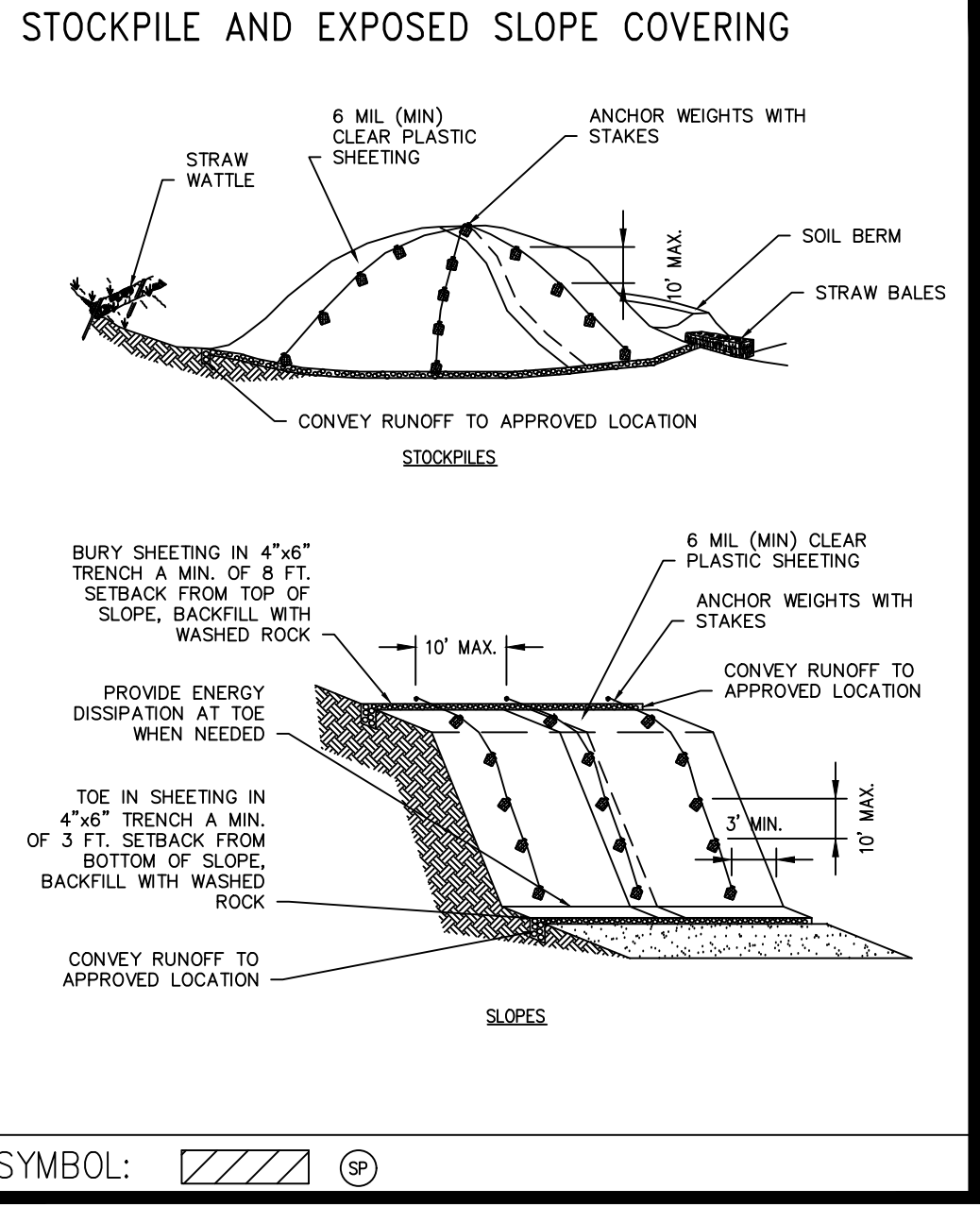
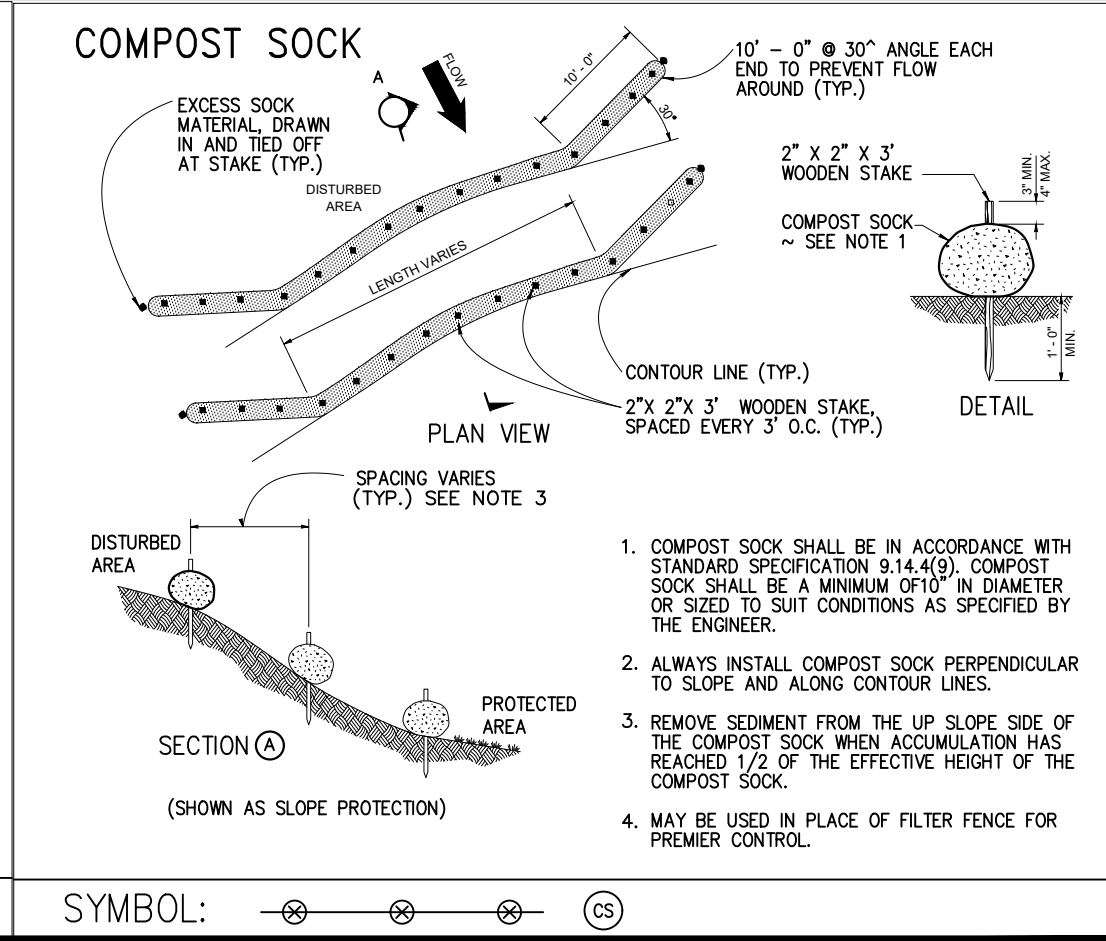
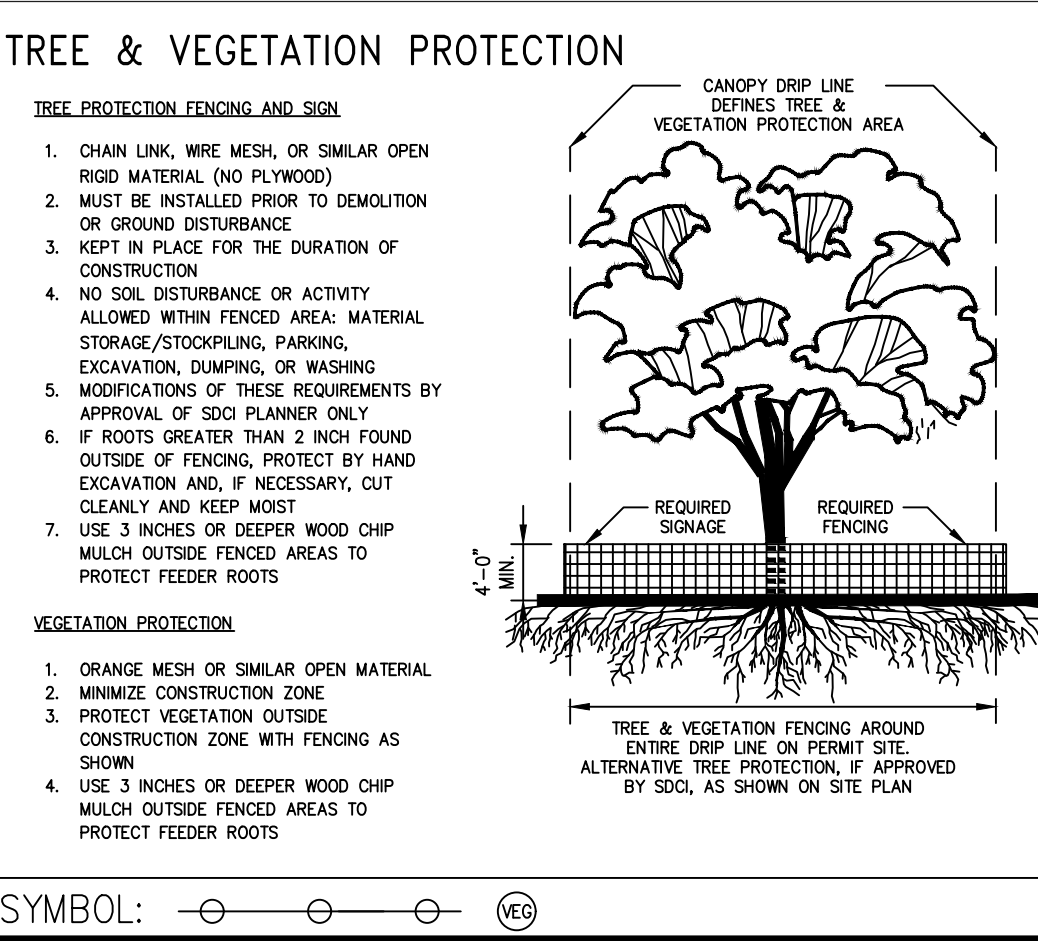
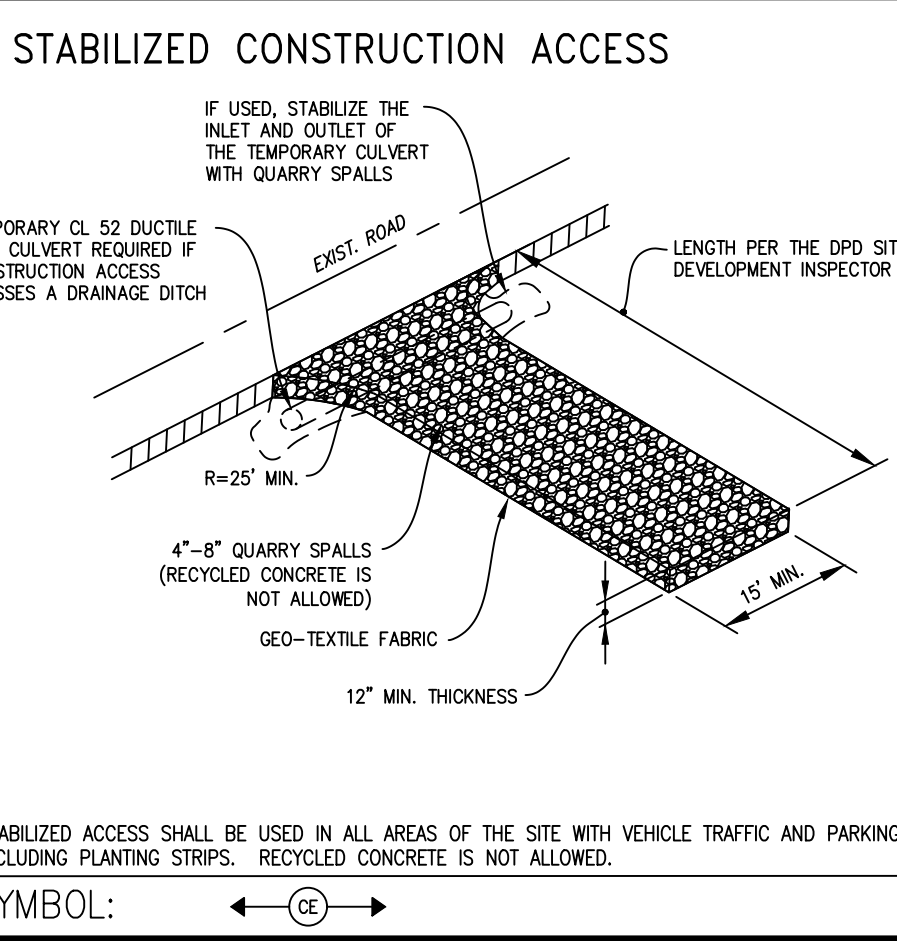
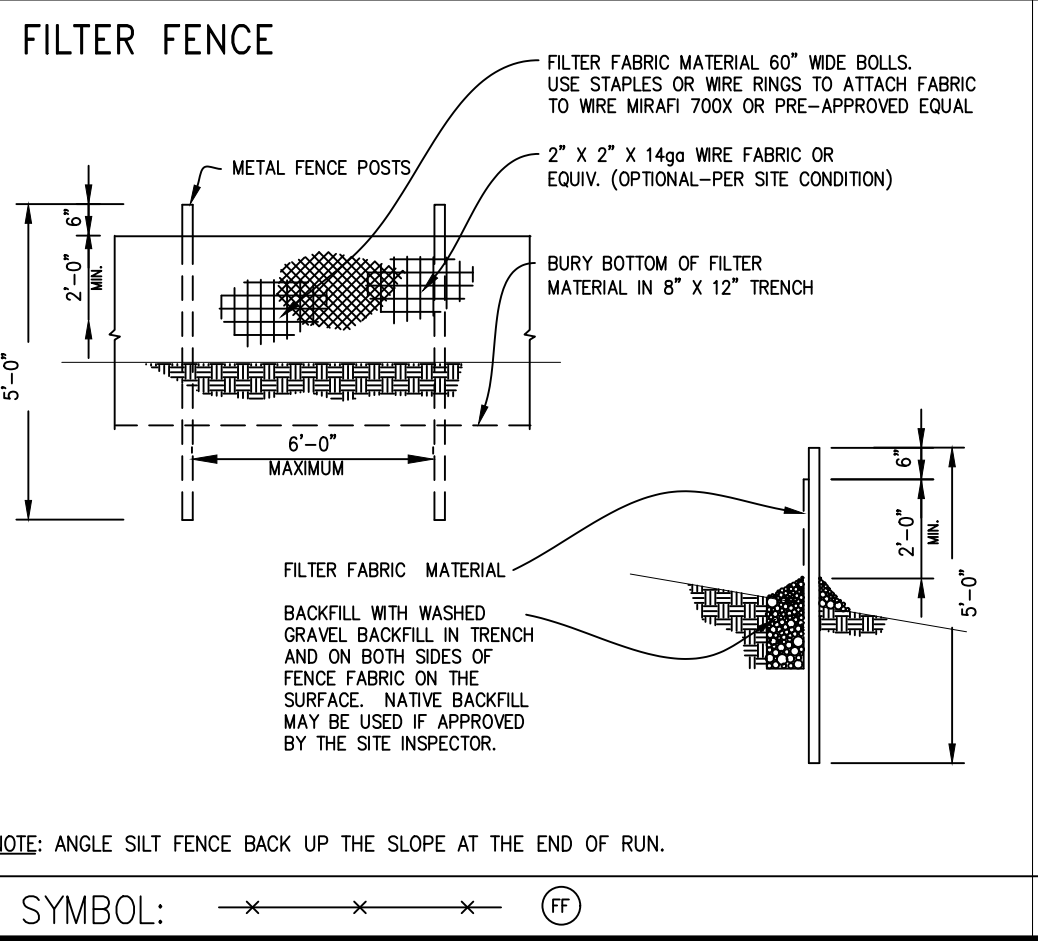
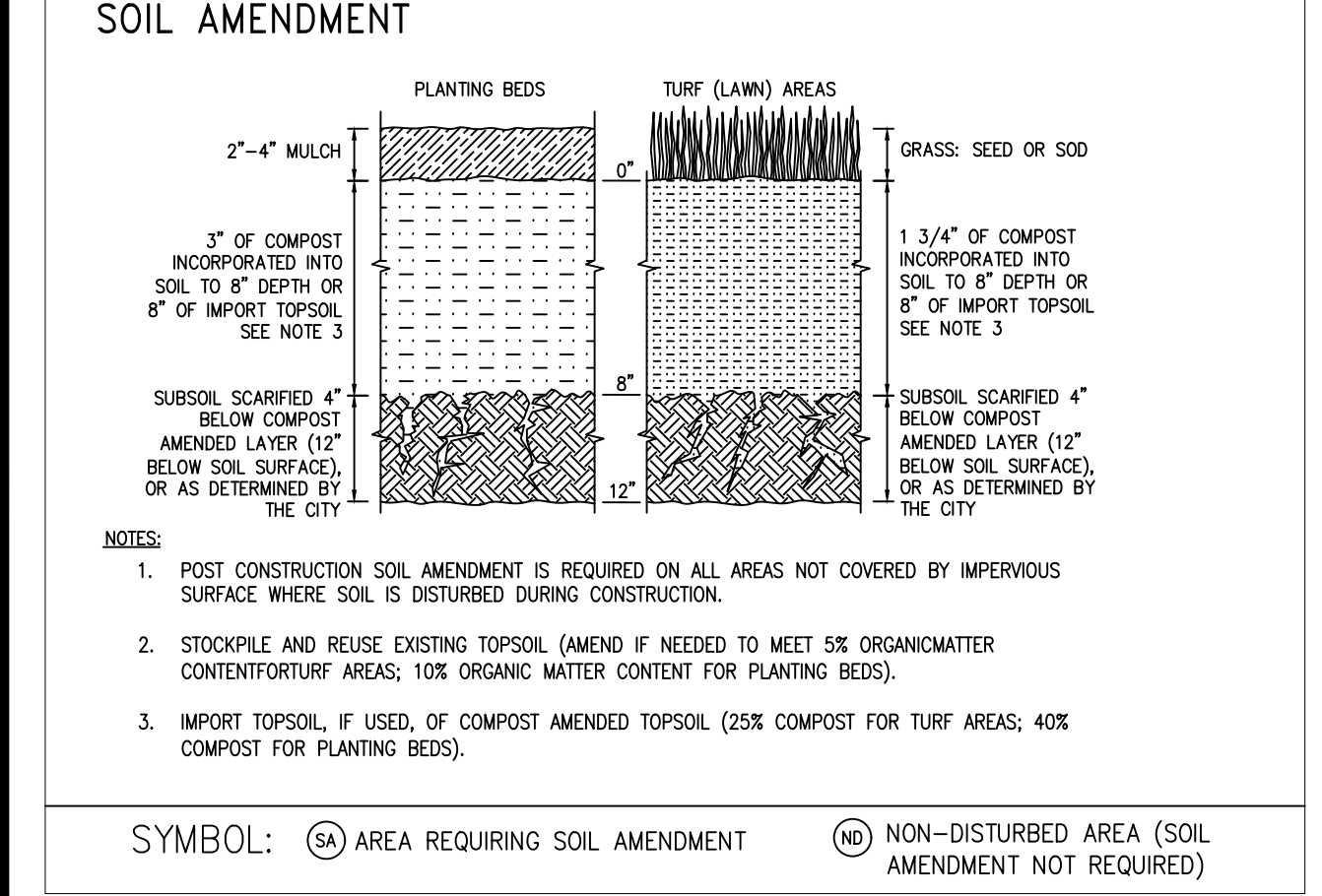
LABEL ALL AREAS DISTURBED AND NOT COVERED WITH A HARD SURFACE WITHIN THE SITE AS ONE OF THE FOLLOWING: SA (SOIL AMENDMENT AREA) or ND (NON-DISTURBED AREA). SEE DEFINITIONS BELOW. DO NOT REFERENCE AN ALTERNATE PLAN SHEET.

- DEFINITIONS:**
- NON-DISTURBED AREA (ND): VEGETATED AREAS THAT WILL NOT BE SUBJECT TO LAND DISTURBING ACTIVITY DO NOT REQUIRE SOIL AMENDMENT IF THEY ARE FENCED AND CONTINUOUSLY PROTECTED THROUGHOUT CONSTRUCTION. THE FENCING MUST BE IN PLACE AT THE FIRST GROUND DISTURBANCE INSPECTION. THIS WILL BE MONITORED BY THE DPD SITE INSPECTOR. NO DISTURBANCE, INCLUDING VEHICLE TRAFFIC OR MATERIAL STORAGE, IS ALLOWED IN THESE AREAS UNTIL FINAL INSPECTION. LABEL THESE AREAS AS (ND) IN THE PLAN VIEW.
  - SOIL AMENDMENT AREA (SA): VEGETATED OR COMPOST AREAS (TURF AND LANDSCAPE) MUST BE AMENDED PER THE SOIL AMENDMENT DETAIL AND THE SUBSOIL MUST BE LOOSENED SO IT WILL PROBE TO A DEPTH OF 12 INCHES PRIOR TO SITE FINAL INSPECTION. THIS INCLUDES AREAS IMPACTED BY CLEARING AND GRADING, STOCKPILING, SITE ACCESS, PATHWAYS AND MATERIALS OR EQUIPMENT STORAGE. LABEL THESE AREAS AS (SA) IN THE PLAN VIEW.

**ESTIMATED COMPOST REQUIRED FOR SOIL AMENDMENT**

608 (SQUARE FEET) X 0.0062 = 3.8 (CUBIC YARDS)

AREA REQUIRING AMENDMENT (SA) REQUIRED COMPOST



**TEMPORARY EROSION & SEDIMENT CONTROL PLAN & POST CONSTRUCTION SOIL MANAGEMENT PLAN**

NOTE: THIS PLAN IDENTIFIES THE MINIMUM MEASURES REQUIRED; ADDITIONAL MEASURES MAY BE REQUIRED BASED ON CONSTRUCTION METHODS AND ACTUAL AREA OF DISTURBANCE.

**SCHARHON RESIDENCE**  
STORMWATER DRAINAGE

9150 SE 54TH ST,  
MERCER ISLAND, WA 98040

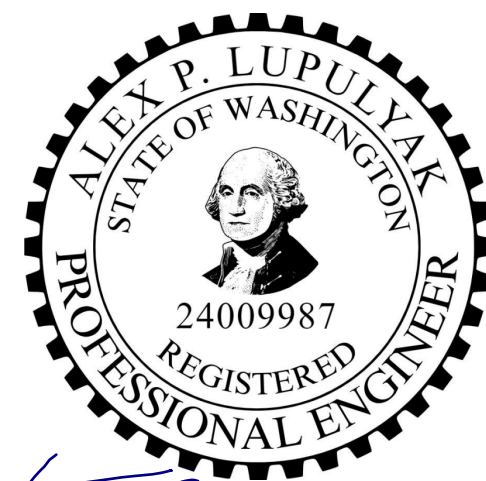
NO.	DATE	REVISION

CLIENT:  
FM CONSTRUCTION AND REMODELING

**HRC**  
HERITAGE REWARD CONSULTING

Heritage Reward Consulting PLLC  
4935 Mill Pond Loop SE  
Auburn, WA 98092  
(253) 753-0092





05/28/2025

# SCHARHON RESIDENCE

## STORMWATER DRAINAGE

9150 SE 54TH ST,  
MERCER ISLAND, WA 98040

NO.	DATE	REVISION

CLIENT:  
FM CONSTRUCTION  
AND REMODELING

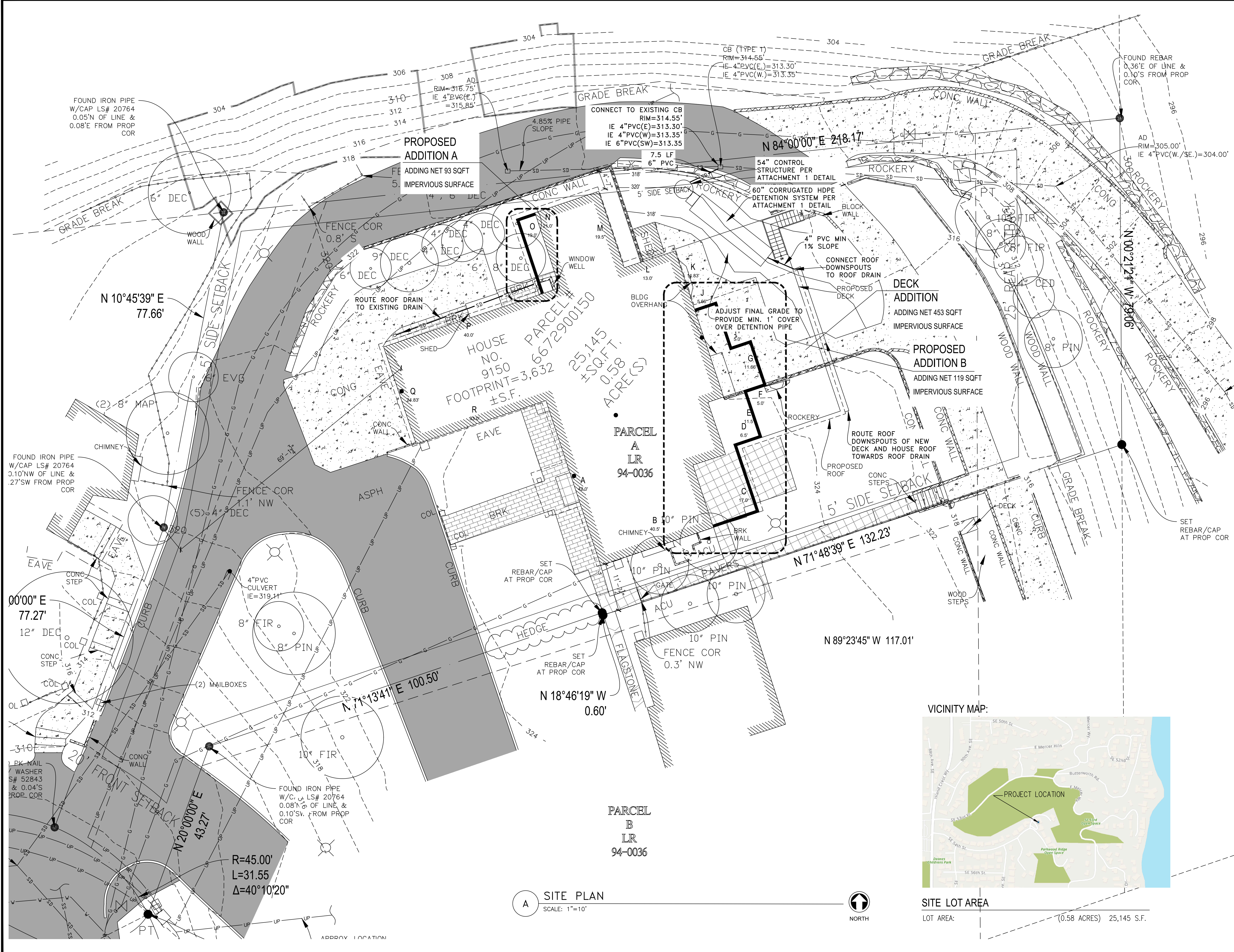


Heritage Reward Consulting PLLC  
4935 Mill Pond Loop SE  
Auburn, WA 98092  
(253) 753-0092

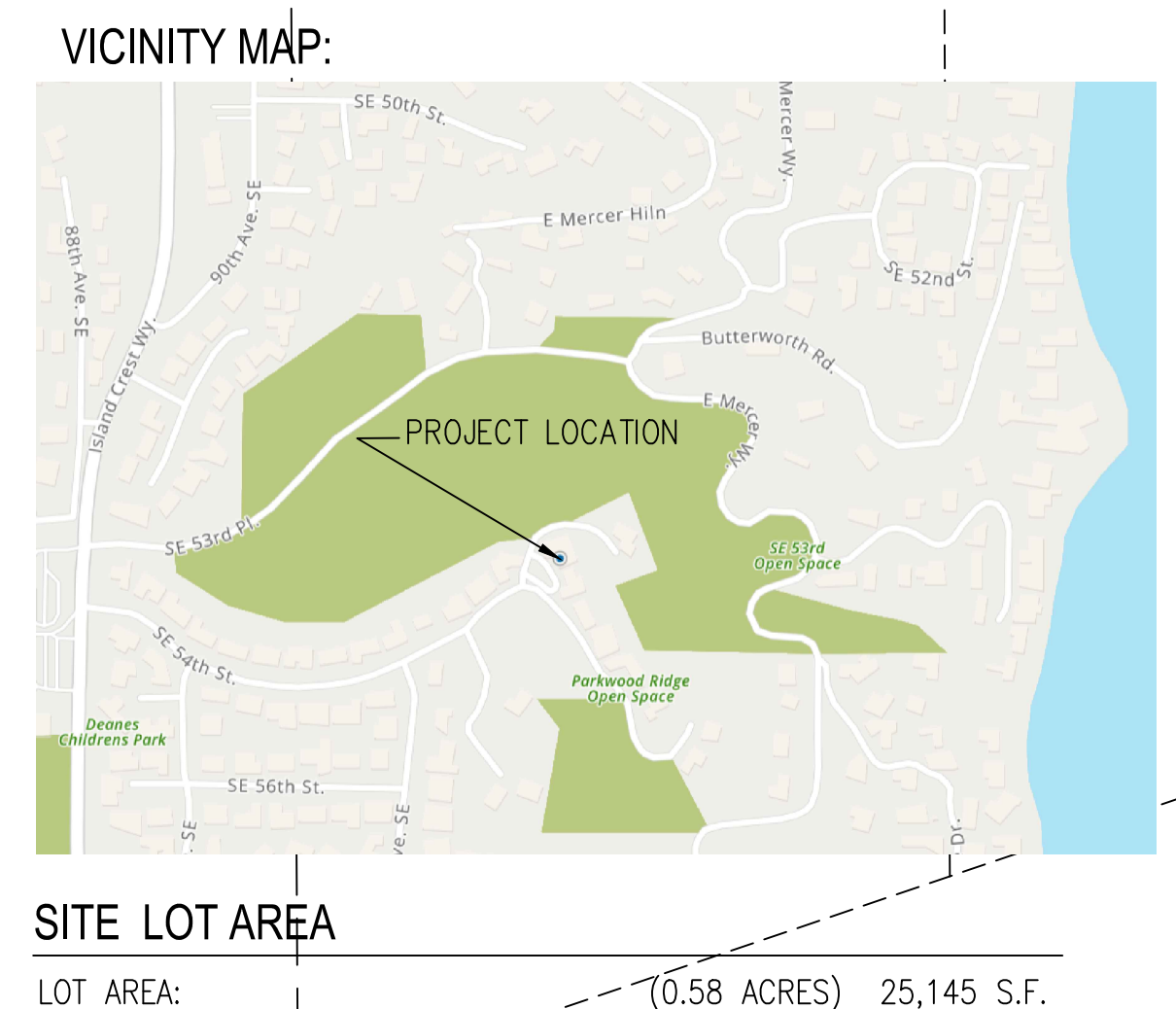
SHEET # **C2.0**

SHEET TITLE  
STORM DRAINAGE SITE PLAN

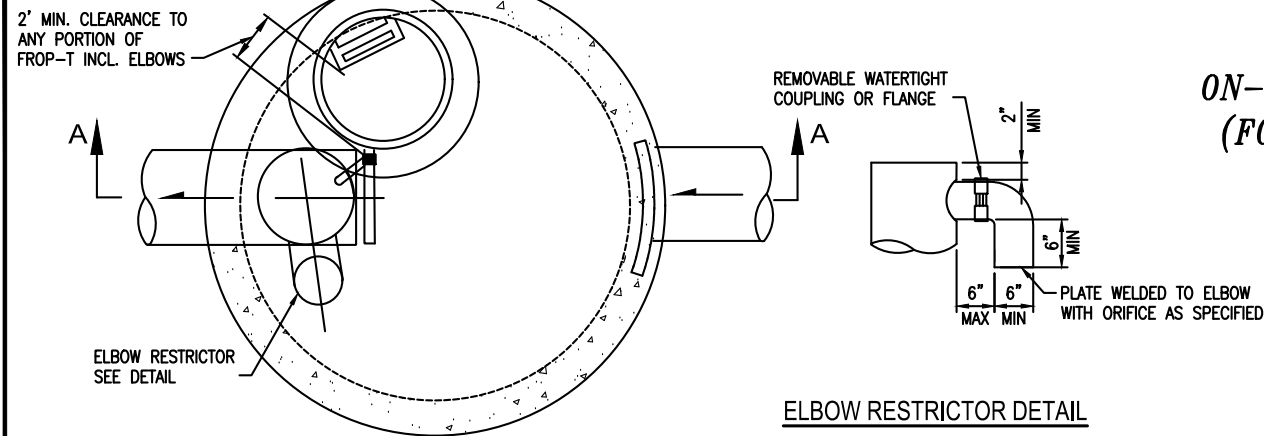
PAGE # **2** OF **2**



**A SITE PLAN**  
SCALE: 1"=10'  
NORTH



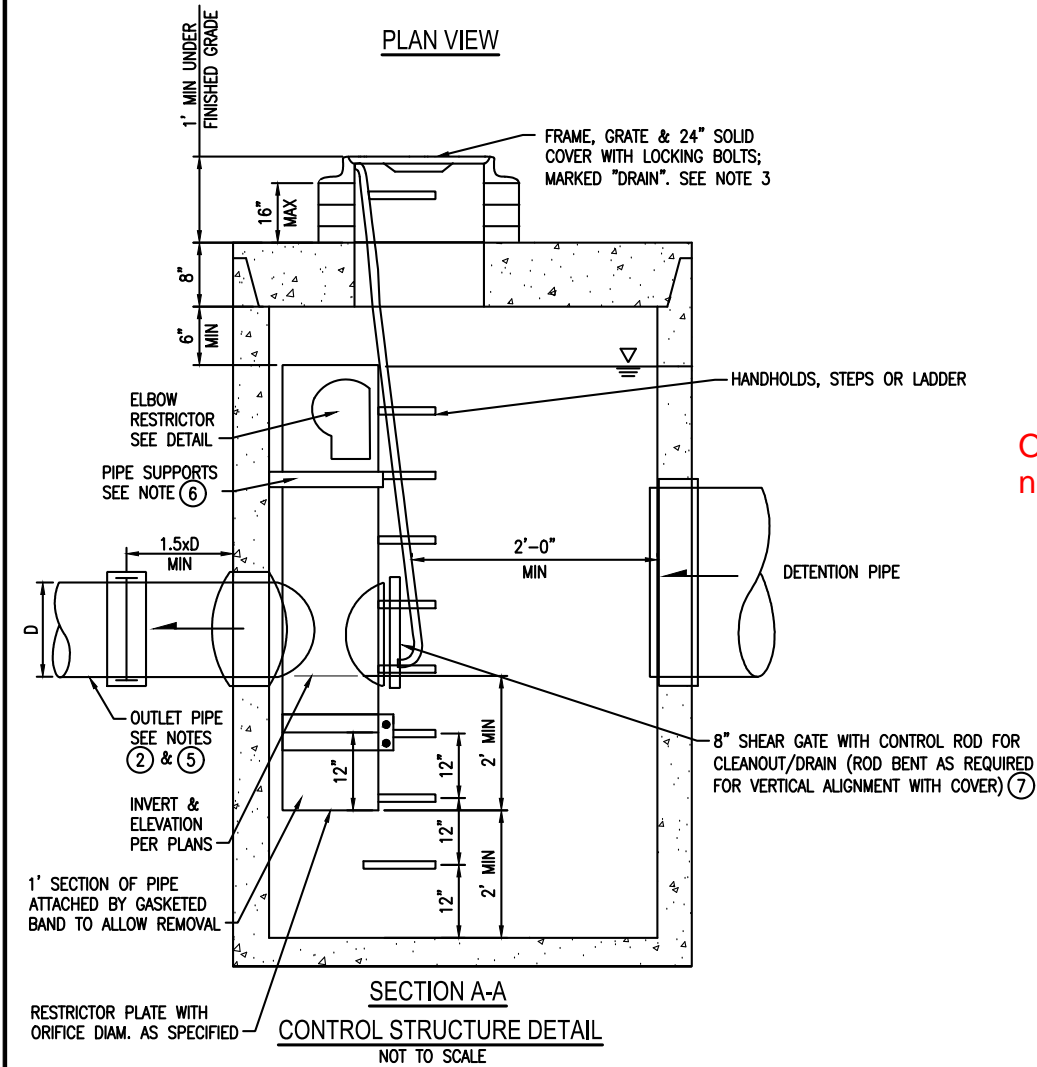
**ATTACHMENT 1**  
**CITY OF MERCER ISLAND**  
**ON-SITE DETENTION SYSTEM WORKSHEET**  
**(FOR NEW PLUS REPLACED IMPERVIOUS**  
**AREA OF 9,500 SF OR LESS)**



PLAN VIEW

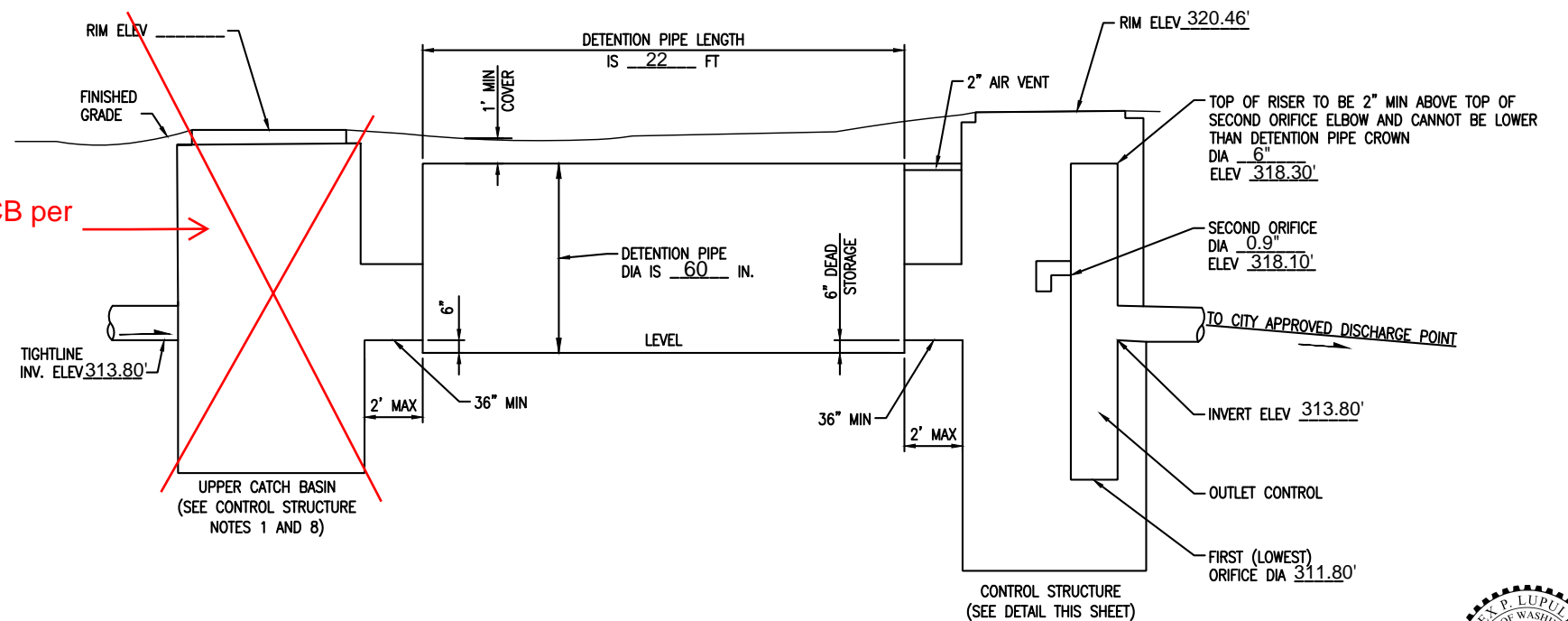
ELBOW RESTRICTOR DETAIL

OWNER: <u>Alan Scharhon</u>	ADDRESS: <u>9150 SE 54th St</u>	PREPARED BY: <u>Alex Lupulyak</u>
PERMIT #: <u>2408-010</u>	<u>Mercer Island, WA 98040</u>	PHONE: <u>(253) 753-0092</u>
		DATE: <u>5/1/25</u>
NEW PLUS REPLACED IMPERVIOUS SURFACE AREA (SF): <u>1,377</u>	DETENTION PIPE DIA (INCH): <u>60</u>	DETENTION PIPE LENGTH (FT): <u>22</u>
SOIL TYPE: <u>B</u>	PIPE MATERIAL: <u>CORR. HDPE</u>	ORIFICE #1 DIA <u>0.5</u> INCH, ELEV <u>311.80'</u>
		ORIFICE #2 DIA <u>0.9</u> INCH, ELEV <u>318.10'</u>



SECTION A-A  
CONTROL STRUCTURE DETAIL  
NOT TO SCALE

Omit upper CB per note 8



ON-SITE DETENTION SYSTEM  
NOT TO SCALE (ENGINEER TO FILL IN BLANKS)



**CONTROL STRUCTURE NOTES:**

- ① USE A MINIMUM OF A 54 IN. DIAM. TYPE 2 CATCH BASIN. THE ACTUAL SIZE IS DEPENDENT ON CONNECTING PIPE MATERIAL AND DIAMETER.
- ② OUTLET PIPE: MIN. 6 INCH.
- ③ METAL PARTS: CORROSION RESISTANT. NON-GALVANIZED PARTS PREFERRED. GALVANIZED PIPE PARTS TO HAVE ASPHALT TREATMENT 1.
- ④ FRAME AND LADDER OR STEPS OFFSET SO:
  - A. CLEANOUT GATE IS VISIBLE FROM TOP;
  - B. CLIMB-DOWN SPACE IS CLEAR OF RISER AND CLEANOUT GATE;
  - C. FRAME IS CLEAR OF CURB.
- ⑤ IF METAL OUTLET PIPE CONNECTS TO CEMENT CONCRETE PIPE, OUTLET PIPE TO HAVE SMOOTH O.D. EQUAL TO CONCRETE PIPE I.D. LESS 1/4 IN.

- ⑥ PROVIDE AT LEAST ONE 3 X 0.090 GAUGE SUPPORT BRACKET ANCHORED TO CONCRETE WALL WITH 5/8 IN. STAINLESS STEEL EXPANSION BOLTS OR EMBEDDED SUPPORTS 2 IN. INTO CATCH BASIN WALL (MAXIMUM 3'-0" VERTICAL SPACING).
- ⑦ THE SHEAR GATE SHALL BE MADE OF ALUMINUM ALLOY IN ACCORDANCE WITH ASTM B 26M AND ASTM B 275, DESIGNATION ZG32A; OR CAST IRON IN ACCORDANCE WITH ASTM A 48, CLASS 30B. THE LIFT HANDLE SHALL BE MADE OF A SIMILAR METAL TO THE GATE (TO PREVENT GALVANIC CORROSION), IT MAY BE OF SOLID ROD OR HOLLOW TUBING, WITH ADJUSTABLE HOOK AS REQUIRED. A NEOPRENE RUBBER GASKET IS REQUIRED BETWEEN THE RISER MOUNTING FLANGE AND THE GATE FLANGE. INSTALL THE GATE SO THAT THE LEVEL-LINE MARK IS LEVEL WHEN THE GATE IS CLOSED. THE MATING SURFACES OF THE LID AND THE BODY SHALL BE MACHINED FOR PROPER FIT. ALL SHEAR GATE BOLTS SHALL BE STAINLESS STEEL.
- ⑧ THE UPPER CATCH BASIN IS REQUIRED IF THE LENGTH OF THE DETENTION PIPE IS GREATER THAN 50 FT.

**ON-SITE DETENTION SYSTEM NOTES:**

1. CALL DEVELOPMENT SERVICES (206-275-7605) 24 HOURS IN ADVANCE FOR A DETENTION SYSTEM INSPECTION BEFORE BACKFILLING AND FOR FINAL INSPECTIONS.
2. RESPONSIBILITY FOR OPERATION AND MAINTANANCE OF DRAINAGE SYSTEMS ON PRIVATE PROPERTY IS RESPONSIBILITY OF THE PROPERTY OWNER. MATERIAL ACCUMULATED IN THE STORAGE PIPE MUST BE REMOVED FROM CATCH BASINS TO ALLOW PROPER OPERATION. THE OUTLET CONTROL ORIFICE MUST BE KEPT OPEN AT ALL TIMES.
3. PIPE MATERIAL, JOINT, AND PROTECTIVE TREATMENT SHALL BE IN ACCORDANCE WITH SECTION 7.04 AND 9.05 OF THE WSDOT STANDARD SPECIFICATION FOR ROAD, BRIDGE, AND MUNICIPAL CONSTRUCTION, LATEST VERSION. SUCH MATERIALS INCLUDE THE FOLLOWING, LINED CORRUGATED POLYETHYLENE PIPE (LCPE), ALUMINIZED TYPE 2 CORRUGATED STEEL PIPE AND PIPE ARCH (MEETS AASHTO DESIGNATIONS M274 AND M36), CORRUGATED OR SPIRAL RIB ALUMINUM PIPE, OR REINFORCED CONCRETE PIPE. CORRUGATED STEEL PIPE IS NOT ALLOWED.
4. FOOTING DRAINS SHALL NOT BE CONNECTED TO THE DETENTION SYSTEM.